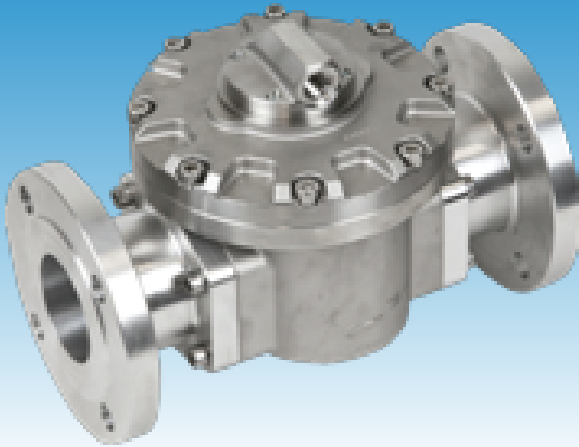


Model: MX75P-3TA



3" Oval gear flow meter designed for a broad range of Industrial Process applications.

- Stainless Steel construction
- FEP - Teflon® encapsulated seals
- Max flow rate 733 LPM / 194 GPM
- Temperatures up to 150°C
- Accuracy +/- 0.5%
- Available with BSP, NPT, DIN, JIS or ANSI process connections
- Suitable for high viscosity fluids

Select a Flowmeter

Step 1.Size

75 (3")

Step 2.Family

P series -INDUSTRIAL

Step 3.Process Connection

3 - ANSI Class150

Step 4.Rotor Type

S - Standard

Step 5.Pulser

A - Pulse Output- Reed/Hall Effect

Process Connection

Port Size	3"
Connection Type	ANSI Class 150

Material of Construction

Body	316SS
Rotor	316SS
Bushing	Carbon
Seal	FEP (Teflon®)

Technical Specifications

Flow Range	<5cps	>5cps
	60 - 600 LPM	20 - 733 LPM
	17 - 170 GPM	5 - 194 GPM
Max Pressure	1200 kPa	175 psi
Temperature	-40 - 120°C	-40 - 248°F
K-Factor	Refer to Flowmeter Data Plate	
Accuracy	+/- 0.5%	
Repeatability	+/- 0.03%	

Service Kits

	Part Number	Description
Rotor Kit	MXS-75P-rotor	Rotor set and O-ring
Seal Kit	MXS-75P-seal	Meter Cap O-Ring - FEP (Teflon®)

Accessories

SS Y Strainer	-
Air Eliminator/Strainer	N/A
Wall Mount Adaptor	-
3 point cal check	MXA-3ptcal
Pressure test	MXA- PRESSTEST

PULSER OUTPUT TYPE: A



Standard Switch

The Standard Pulser Module provides 1x Reed and 1 x Hall Effect (NPN open collector) switch outputs. The module is supplied with 1 mtr of cable.

Construction

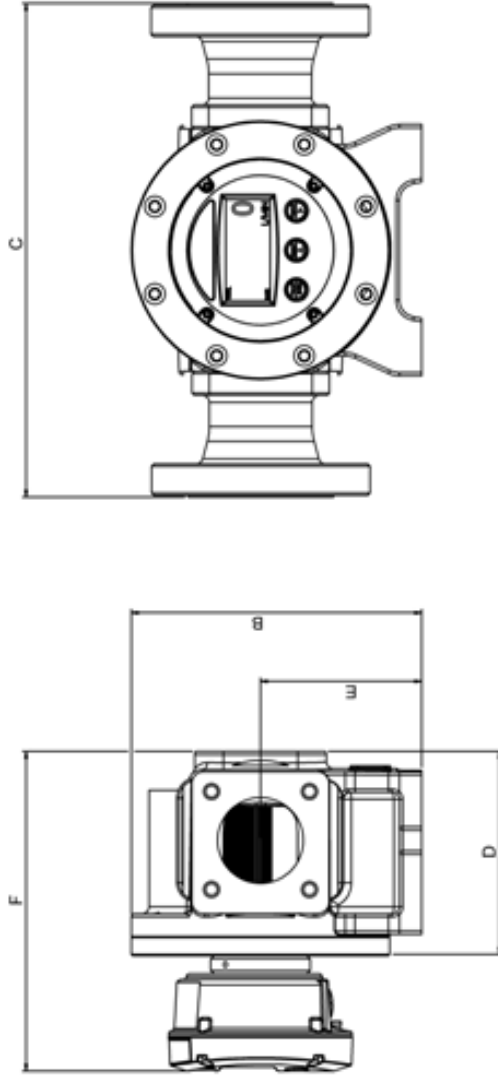
Material	Polypropylene	
IP Rating	67	
Mounting	Meter Mount	
Connection	5/8-18 UNF	
Dimensions	Height (mm)	Diameter (mm)
	17 mm	74 mm

Technical Specifications

Switch Type	Pulse Output- Reed/Hall Effect	
Approvals	No approvals	
	-	-
Power Supply	Voltage (VDC)	Current (mA)
	Reed	500 mA
	Hall	7.5mA

Service Kits

Part Number	Description
MXD-AS	MX Standard Pulser



MX75

METER SIZE	FLANGE TYPE	PORT SIZE	METER AND FLANGE DIMENSIONS						PULSER AND DISPLAY HEIGHT - F					
			B	C	D	E	TYPE A	TYPE B	TYPE C	TYPE T	TYPE D,E	TYPE F,G,H		
MX75 ALUMINIUM	ANSI	3"	254	436	179	141	196	230	241	237	227	280		
	DIN			436										
	JIS			436										
	RP			302										
	NPT			302										
MX75 STAINLESS STEEL	ANSI	3"	254	348	179	141	196	230	241	237	227	280		
	DIN			344										
	JIS			344										
	RP			260										
	NPT			260										