

Model: MX25P-1SH



1" Oval gear flow meter designed for a broad range of Industrial Process applications.

- Stainless Steel construction
- FEP - Teflon® encapsulated seals
- Max flow rate 120 LPM / 32 GPM
- Temperatures up to 150°C
- Accuracy +/- 0.5%
- Available with BSP, NPT, DIN, JIS or ANSI process connections
- Suitable for high viscosity fluids

Select a Flowmeter

Step 1.Size

25 (1")

Step 2.Family

P series -INDUSTRIAL

Step 3.Process Connection

1 - BSP (Rp)

Step 4.Rotor Type

S - Standard

Step 5.Pulsar

H - 17mm LC Display (Batch Controller)

Process Connection

Port Size	1"
Connection Type	BSP (Rp)

Material of Construction

Body	316SS
Rotor	PPS
Bushing	No bushes
Seal	FEP (Teflon®)

Technical Specifications

Flow Range	<5cps	>5cps
	10 - 100 LPM	6 - 120 LPM
	2.6 - 26 GPM	1.6 - 32 GPM
Max Pressure	13790 kPa	2000 psi
Temperature	-40 - 80°C	-40 - 176°F
K-Factor	Refer to Flowmeter Data Plate	
Accuracy	+/- 0.5%	
Repeatability	+/- 0.03%	

Service Kits

	Part Number	Description
Rotor Kit	MXS-25P-rotor	Rotor set and O-ring
Seal Kit	MXS-25P-seal	Meter Cap O-Ring - FEP (Teflon®)

Accessories

SS Y Strainer	YS025-01
Air Eliminator/Strainer	N/A
Wall Mount Adaptor	MXA-25-WM
3 point cal check	MXA-3ptcal
Pressure test	MXA- PRESSTEST

DIGITAL DISPLAY TYPE: H



Type ERB 17mm LC Display (Batch Controller)

The ERB series is a meter mounted digital register with a 17mm LCD display, specifically designed for Batching application. The output facilities include a 4-20mA and scaled pulse output.

Construction

Material	Aluminium	
IP Rating	67	
Mounting	Meter Mount	
Connection	M-Lock™	
Cable Entry	2x M16 / 1x M20	
Dimensions	Height (mm)	Diameter (mm)
	101 mm	161 mm

Technical Specifications

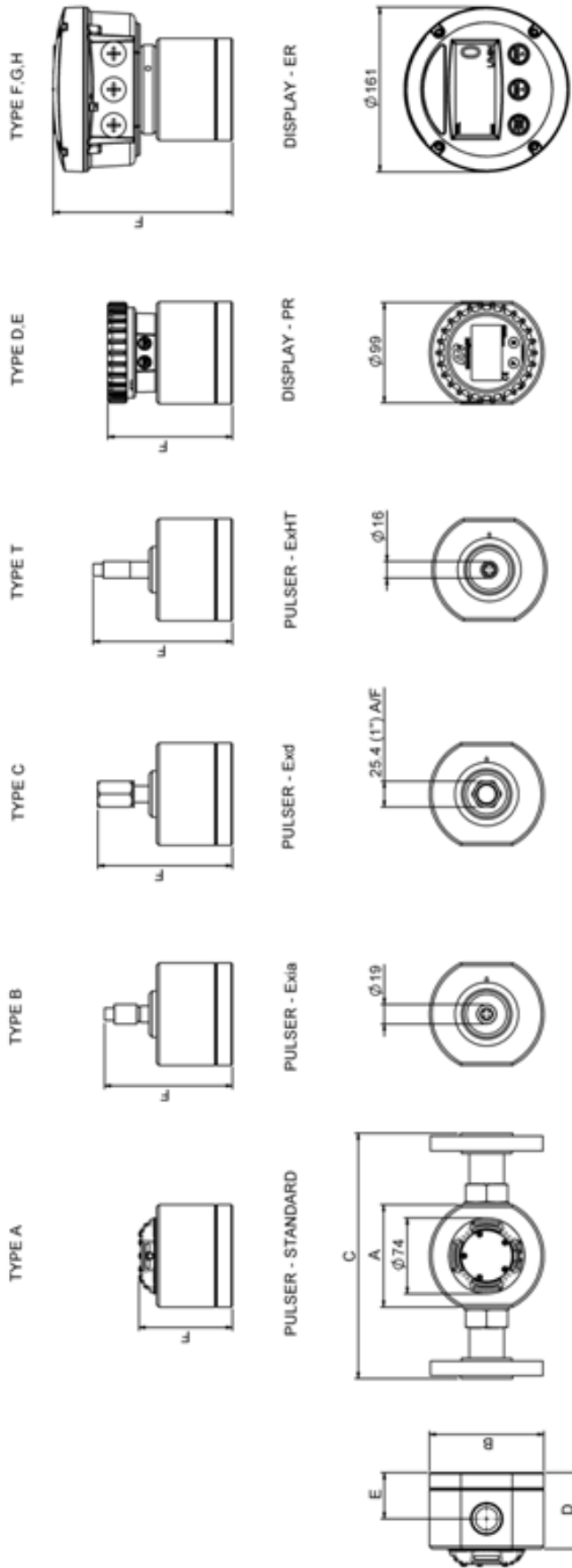
Power Supply	Battery	External Pwr Supply
	3.6V Lithium	16-30vDC
Backup	EEPROM Flash memory	
Outputs	Transistor (passive)	
	-	
	-	

Service Kits

Part Number	Description
MXS-PCB-ER	PCB + Housing to suit display types F, G, H
MXS-DIS-ERB	LCD unit to suit Disply ERB

LC Display

Digital Size	Upper LCD	Lower LCD	
	7 Digit / 17mm	7 Digit / 8mm	
Display	Total	Acc Total	Flow Rate
	resettable	non-resettable	User defined units



METER SIZE	PORT SIZE	METER AND FLANGE DIMENSIONS										PULSER AND DISPLAY HEIGHT - F					
		A	B	C	D	E	TYPE A	TYPE B	TYPE C	TYPE T	TYPE D,E	TYPE F,G,H					
MX06	1/4"	71	74	N/A	42	25	59	93	100	104	90	143					
MX09	1/4"	71	74	N/A	42	24	59	93	100	104	90	143					
MX12	1/2"	81	87	N/A	49	28	66	100	107	111	97	150					
MX19	3/4"	100	112	N/A	62	37	79	113	120	124	110	163					
MX25	1"	100	112	240	75	45	92	126	133	137	123	176					
MX40	1 1/2"	120	137	240	103	61	120	154	161	165	151	204					
MX50	2"	140	163	264	124	72	141	175	182	186	172	225					