

Model: MX25P-1SD



1" Oval gear flow meter designed for a broad range of Industrial Process applications.

- Stainless Steel construction
- FEP - Teflon® encapsulated seals
- Max flow rate 120 LPM / 32 GPM
- Temperatures up to 150°C
- Accuracy +/- 0.5%
- Available with BSP, NPT, DIN, JIS or ANSI process connections
- Suitable for high viscosity fluids

Select a Flowmeter

Step 1.Size

25 (1")

Step 2.Family

P series -INDUSTRIAL

Step 3.Process Connection

1 - BSP (Rp)

Step 4.Rotor Type

S - Standard

Step 5.Pulsar

D - 12mm LC Display

Process Connection

Port Size	1"
Connection Type	BSP (Rp)

Material of Construction

Body	316SS
Rotor	PPS
Bushing	No bushes
Seal	FEP (Teflon®)

Technical Specifications

Flow Range	<5cps	>5cps
	10 - 100 LPM	6 - 120 LPM
	2.6 - 26 GPM	1.6 - 32 GPM
Max Pressure	13790 kPa	2000 psi
Temperature	-20 - 60°C	-4 - 140°F
K-Factor	Refer to Flowmeter Data Plate	
Accuracy	+/- 0.5%	
Repeatability	+/- 0.03%	

Service Kits

	Part Number	Description
Rotor Kit	MXS-25P-rotor	Rotor set and O-ring
Seal Kit	MXS-25P-seal	Meter Cap O-Ring - FEP (Teflon®)

Accessories

SS Y Strainer	YS025-01
Air Eliminator/Strainer	N/A
Wall Mount Adaptor	MXA-25-WM
3 point cal check	MXA-3ptcal
Pressure test	MXA- PRESSTEST

DIGITAL DISPLAY TYPE: D



Type PR 12mm LC Display

The PR series is a meter mounted digital register with a 12mm LCD display, providing real-time indication of Flow rate, total and accumulated total.

Construction

Material	Polypropylene	
IP Rating	67	
Mounting	Meter Mount	
Connection	M-Lock™	
Cable Entry	2x 12mm (blind)	
Dimensions	Height (mm)	Diameter (mm)
	48 mm	99 mm

Technical Specifications

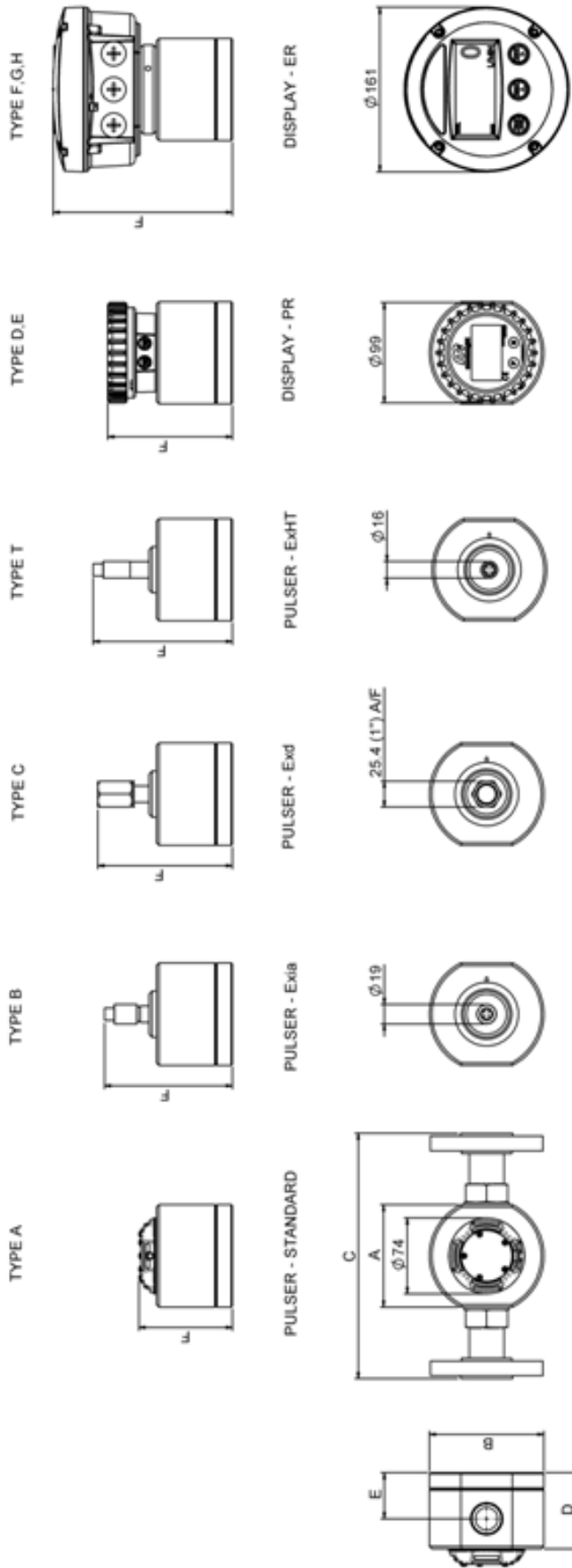
Power Supply	Battery	External Pwr Supply
	3V Lithium	-
Backup	EEPROM Flash memory	
Outputs	No	
	No	
	No	

LC Display

Digital Size	Upper LCD	Lower LCD	
	7 digit / 12mm	7 digit / 7mm	
Display	Total	Acc Total	Flow Rate
	resettable	non-resettable	User defined units

Service Kits

Part Number	Description
MXS-PCB-PR	PCB + Housing to suit display types D, E
MXS-DIS-PR	LCD unit to suit Display PR



METER SIZE	PORT SIZE	METER AND FLANGE DIMENSIONS										PULSAR AND DISPLAY HEIGHT - F							
		A	B	C	D	E	TYPE A	TYPE B	TYPE C	TYPE T	TYPE D,E	TYPE F,G,H	TYPE C	TYPE T	TYPE D,E	TYPE F,G,H			
MX06	1/4"	71	74	N/A	42	25	59	93	100	104	90	143	100	104	90	143			
MX09	1/4"	71	74	N/A	42	24	59	93	100	104	90	143	100	104	90	143			
MX12	1/2"	81	87	N/A	49	28	66	100	107	111	97	150	107	111	97	150			
MX19	3/4"	100	112	N/A	62	37	79	113	120	124	110	163	120	124	110	163			
MX25	1"	100	112	240	75	45	92	126	133	137	123	176	133	137	123	176			
MX40	1 1/2"	120	137	240	103	61	120	154	161	165	151	204	161	165	151	204			
MX50	2"	140	163	264	124	72	141	175	182	186	172	225	182	186	172	225			